
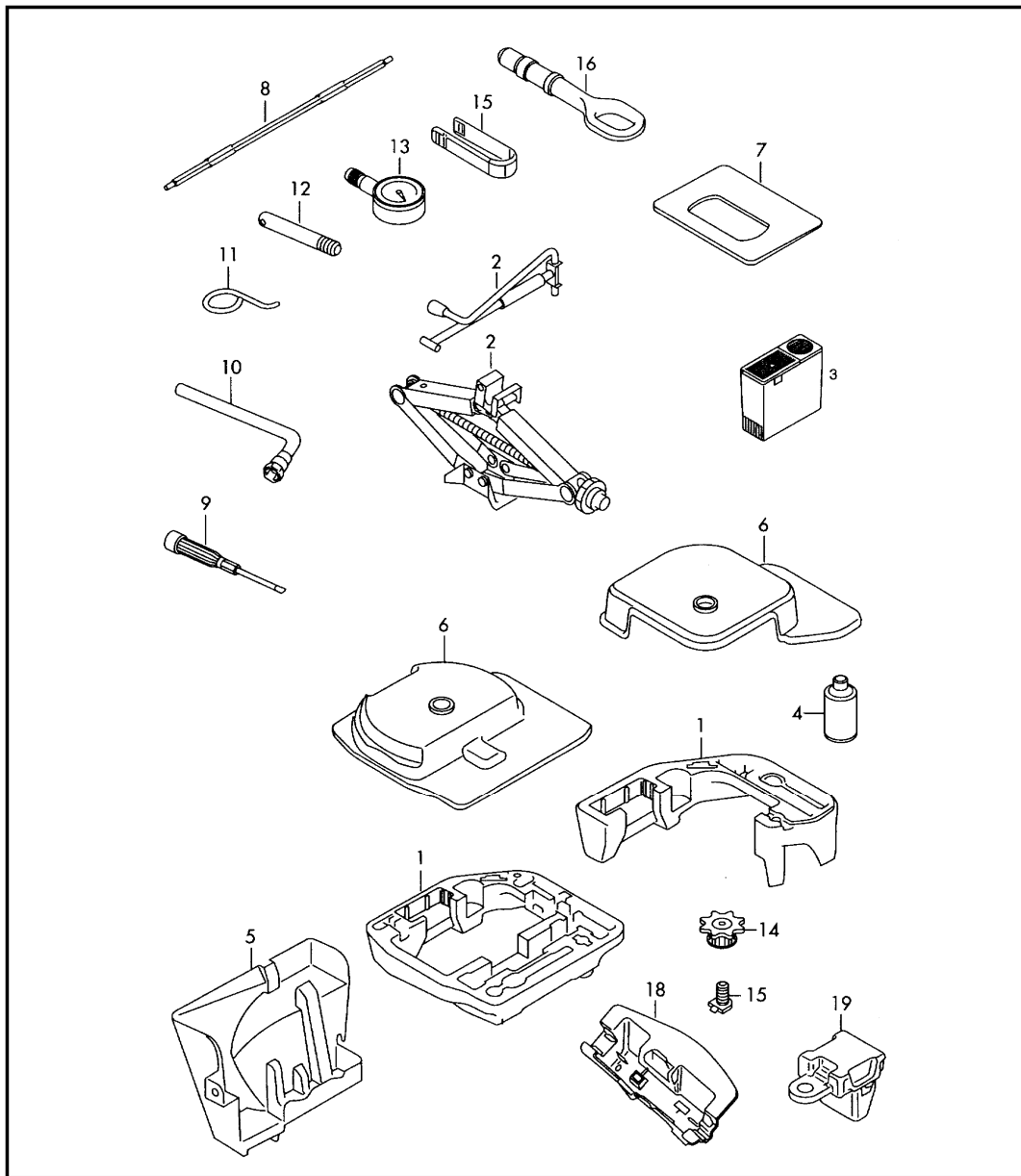



Model	Year	MG	SG	Illustration	Restrictions	UPD	20:47	17.01.201		ETKA
A4	2009	0	11	011-10		724				



Pos	Part Number	Description	Remark	Qty	Model
		jack tools breakdown set with compressor			
1	8T0 012 109	tool kit bag		1	PR-1S2
(1)	8T0 012 109 A	tool kit bag		1	PR-1S1,1S3, 1S4
(1)	8T0 012 109 D	tool kit bag		1	PR-GH2+1S1, 1S3,1S4
2	8K0 011 021	jack		1	PR-1S1
(2)	8K0 011 021 A	jack		1	PR-1S4
(2)	8K0 011 021 B	jack		1	PR-1S3
3	8P0 012 615 A	air compressor		1	PR-1G8
4	8E0 012 619	tyre sealant	450ML	1	PR-1G8
5	8T0 011 213	mounting for trailer coupling ball		1	PR-1D2
6	8T0 012 116	cover for spare wheel well		1	PR-1S2,1S3
(6)	8T0 012 116 A	cover for spare wheel well		1	PR-1S1,1S4
7	8T0 012 259	assembly tool tail light		1	
8	8J0 012 289	blade	TORX 25X30	1	
9	1J0 012 255	screwdriver for slotted and phillips head screws		1	
10	8N0 012 219	socket wrench for wheel bolts		1	PR-1S1,1S3, 1S4
11	8L0 012 243	removal tool wheel cap		1	PR-1S1,1S3, 1S4
12	893 012 223	tommy bar		1	PR-1S1,1S3, 1S4
13	8P0 012 605	tyre pressure gauge		1	
14	8K0 803 899	bolt for spare wheel mounting		1	
15	8K0 804 899	bolt for spare wheel mounting		1	
16	8K0 805 615	towing eye	front	1	

Model	Year	MG	SG	Illustration	Restrictions	UPD	20:47	17.01.201	 Audi	ETKA
A4	2009	0	11	011-10		724				

Pos	Part Number	Description	Remark	Qty	Model	Pos	Part Number	Description	Remark	Qty	Model
17	8D0 012 244 A	removal tool cap - wheel bolt		1							
18	8K9 813 685	bracket for jack		1	PR-1S1,1S3, 1S4+9VD,9VK						
19	8K9 813 685 A	holder		1	PR-1S2+9VD, 9VK						