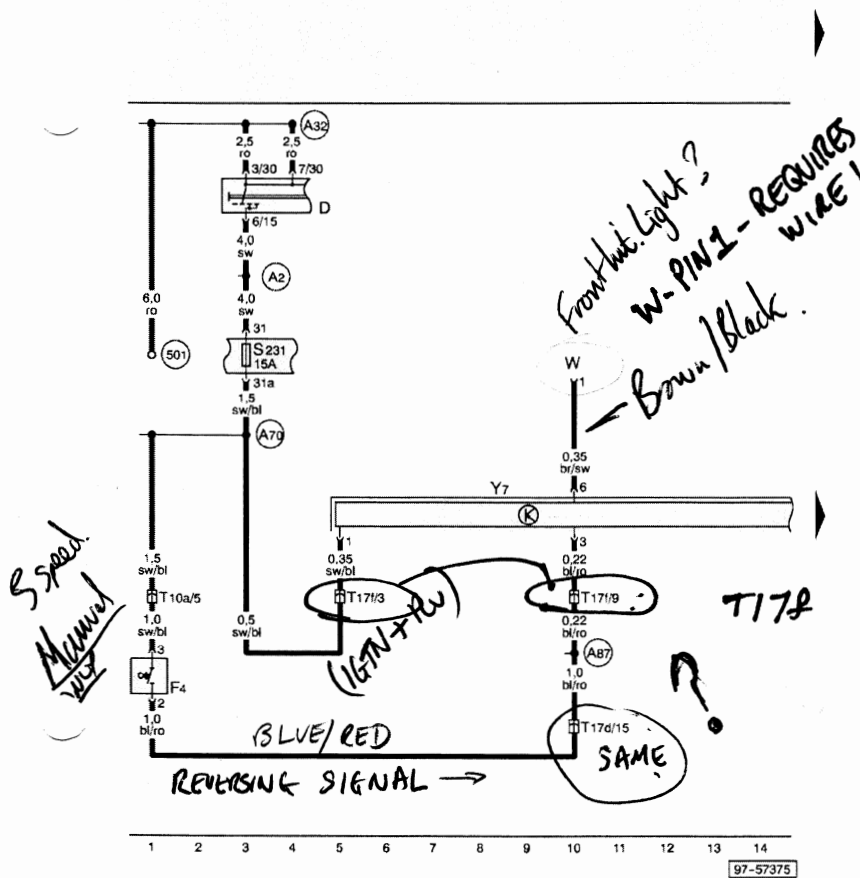


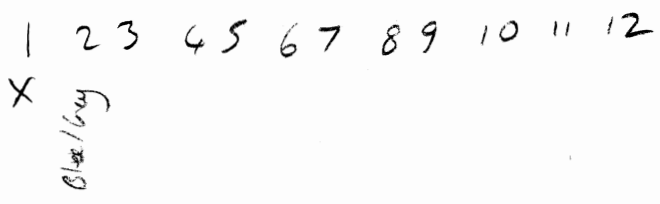
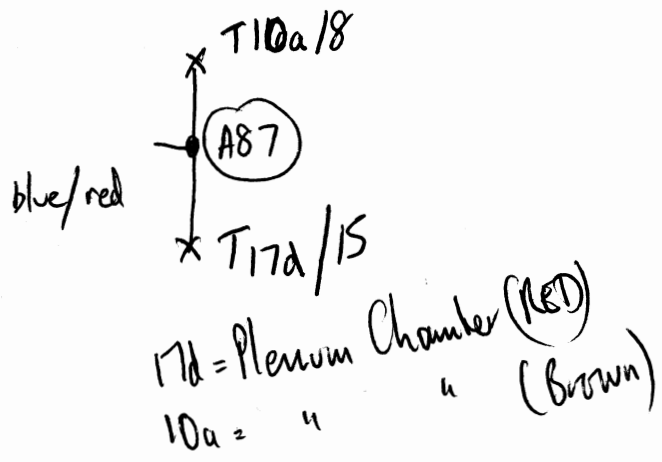
REPAIR WIRE  
 000 979 009  
 INTO PIN 1.  
 of Front Interior Light.

Automatic Day/Night Interior Mirror

- D - Ignition/Starter Switch
  - F4 - Back Up Light Switch
  - S231 - Fuse in fuse holder
  - T10a - 10-Pin Connector, brown, connector station E-box, plenum chamber
  - T17d - 17-Pin Connector, red, connector station E-box, plenum chamber
  - T17f - 17-Pin Connector, orange, connector station A-pillar left
  - W - Front Interior Light
  - Y7 - Automatic Day/Night Interior Mirror
- (501) - Threaded connection -2- (30) on the relay plate
- (A2) - plus connection (15), in instrument panel wiring harness
- (A32) - plus connection (30), in instrument panel wiring harness
- (A70) - Connector (15a, fuse 231), in instrument panel wiring harness
- (A87) - Connector (reverse lamp), in instrument panel wiring harness



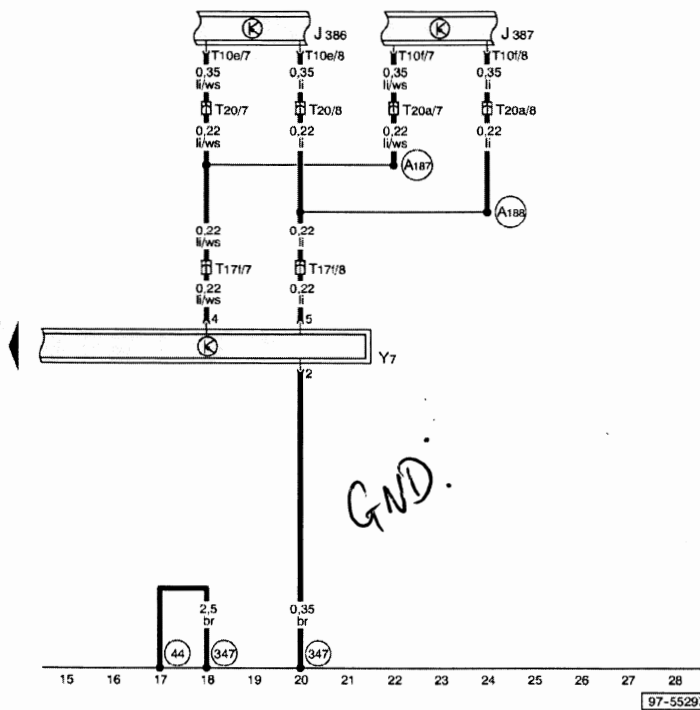
97-57375



Automatic Day/Night Interior Mirror

- J386 - Door control module, driver side
- J387 - Door control module, passenger side
- T10e - 10-Pin Connector, black, on door control module, driver's door
- T10f - 10-Pin Connector, black, on door control module, passenger door
- T17f - 17-Pin Connector, orange, connector station A-pillar, left
- T20 - 20-Pin Connector, black, door A-pillar, left
- T20a - 20-Pin Connector, black, door A-pillar, right
- Y7 - Automatic Day/Night Interior Mirror

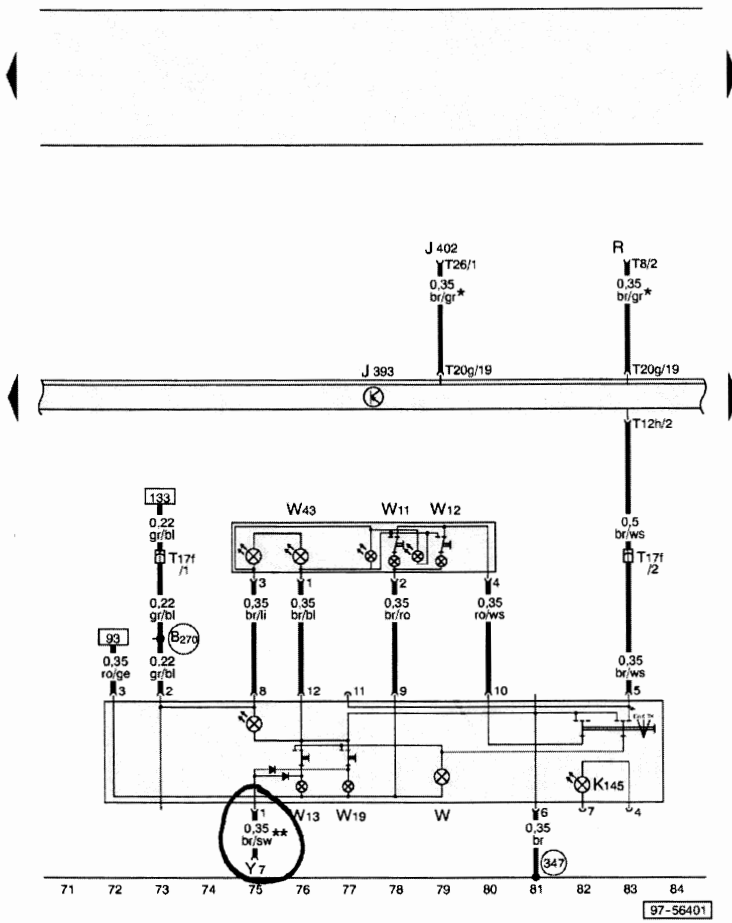
- (44) - Ground connection, on left A-pillar, lower part
- (347) - Ground Connection (in roof wiring harness)
- (A187) - Automatic Day/Night Interior Mirror Connection 1 (in instrument panel wiring harness)
- (A188) - Automatic Day/Night Interior Mirror Connection 1 (in instrument panel wiring harness)



rs = pink  
 ws = white  
 sw = black  
 ro = red  
 br = brown  
 gn = green  
 bl = blue  
 gr = grey  
 li = lilac  
 ge = yellow  
 or = orange

97-55297

Central control module for comfort system, Front Interior Light, Reading Lights



- J393 - Central control module for comfort system
  - J402 - Control module for operating electronics, navigation
  - K145 - Warning light for airbag off, passenger side
  - R - Radio
  - T8 - 8-Pin Connector, black, radio connector III
  - T12h - 12-Pin Connector, black, on central control module for comfort system (used to be Connector 1)
  - T17f - 17-Pin Connector, orange, connector station A-pillar, left
  - T20g - 20-Pin Connector, red, on central control module for comfort system (used to be Connector 4)
  - T26 - 26-Pin Connector, black, on Control Module for operating electronics, navigation
  - W - Front Interior Light
  - W11 - Left Rear Reading Light
  - W12 - Right Rear Reading Light
  - W13 - Passenger's Map/Reading Light
  - W19 - Left Front Reading Light
  - W43 - Rear courtesy lamp
  - Y7 - Automatic Day/Night Interior Mirror
- (347) - Ground Connection (in roof wiring harness)
  - (B270) - Connector (58s), in roof wiring harness
  - \* - where applicable (for alarm system)
  - \*\* - with Automatic Day/Night Interior Mirror only

rs = pink  
ws = white  
sw = black  
ro = red  
br = brown  
gn = green  
bl = blue  
gr = grey  
li = lilac  
ge = yellow  
or = orange